

## Roller compactor



Reduced waste transport:  
Up to a fivefold reduction



Average skip weight: 6 tonnes



Automatic operating cycle



Automatic shaft lubrication

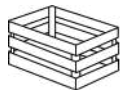


Stop adjustable in both directions

## Waste types



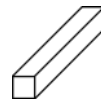
Wooden pallets



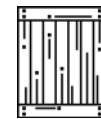
Crates



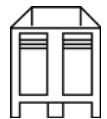
Hard plastics



Cores



Wooden boxes



Pallet boxes

## Operating principle

The stationary compactor roller is designed for crushing and compacting waste and raw materials to reduce your transport and costs. A motor-driven roller crushes and distributes the waste in open skips.



+33 2 35 10 44 10



contact@alter-val.com

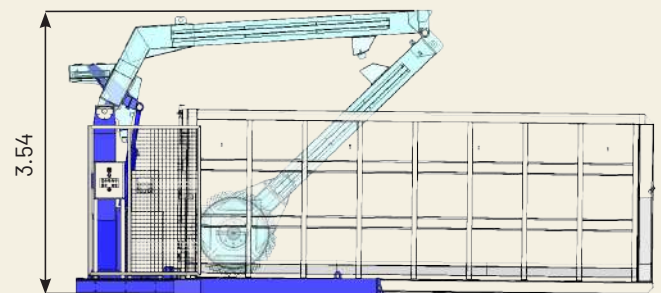
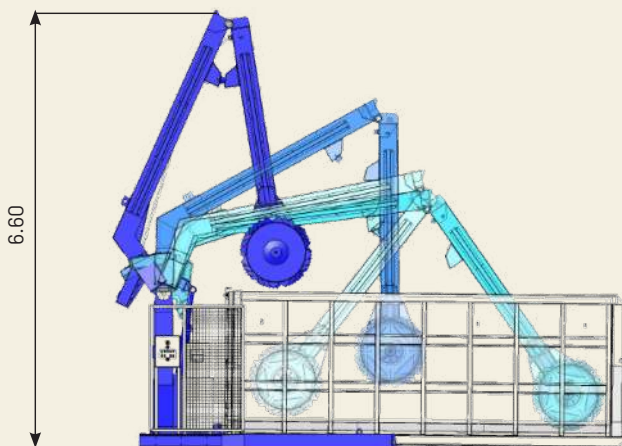
## Roller compactor

### User guide



For use with min. 30 m<sup>3</sup> open skips.  
Container length 7 m.

### Technical data



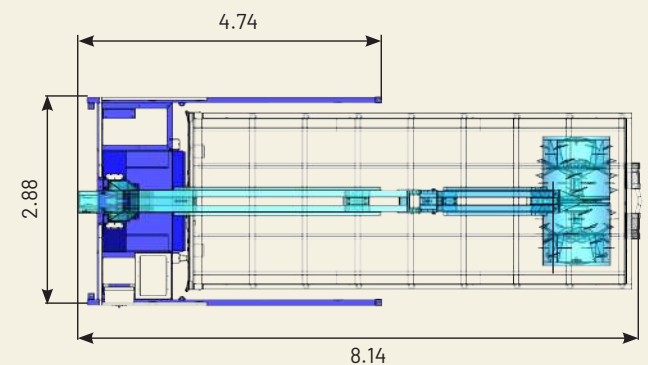
5.5 kW motorisation



8.14 X 2.88 X 6.60 m in operation  
Transport height 3.54 m



3750 KG



### Facilities



### ALTERVAL goes further

